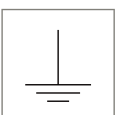


GAM

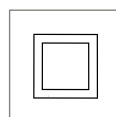


GAM (Groot Armatuur Margriet) is very striking and blends into an environment with distinctive architecture. The name Margriet, the Dutch word for daisy, refers to the clearly recognisable flower shape with the light source at its heart. The pendant luminaire GAM combines playful and attractive lines with perfectly balanced lighting technology.

STANDARD



OPTION





BENEFITS

- ▶ Playful design
- ▶ Light where it's needed
- ▶ Various lens configurations
- ▶ Low energy consumption
- ▶ The GAM can be combined with the smaller MAK
- ▶ Easy to install and mount

SMART LIGHTING



Compatible with any Zhaga-D4i system by using the universal Zhaga-book 18 connector



Want to speak to a specialist?
Click on / scan the QR-code!

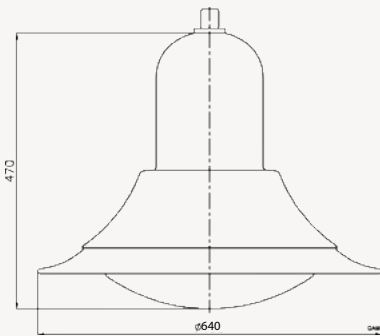
PRODUCT SPECIFICATIONS

- ▶ Aluminium top cover, coated black (RAL9005)
- ▶ Light cover UV-stabilised polycarbonate, with or without leather structure
- ▶ Wind surface: $\pm 0.14 \text{ m}^2$
- ▶ Safety class: I
- ▶ Weight: $\pm 10 \text{ kg}$ (depending on the model)
- ▶ Standard Surge Protection (CM/DM) 8 kV / 6 kV
- ▶ Standard cable type H05BQ-F (3 x 1 mm²)
- ▶ Voltage: 230/240 V, 50 Hz
- ▶ CRI: > 70
- ▶ Colour temperature neutral white (4,000K), warm white (3,000K) or extra warm white (2,700K)
- ▶ Expected lifespan 100,000 hours at T environment = 25 °C (L96/F10)
- ▶ Other lens configurations
- ▶ Extension 3/4" external
- ▶ Assembly-, installation- and maintenance-friendly
- ▶ LED2WELL-Core

OPTIONS

- ▶ Other RAL colour
- ▶ DALI-2
- ▶ Safety class: II
- ▶ Constant Lumen Output (CLO)
- ▶ Connection: 1/2" external
- ▶ Equipped with a different cable

DIMENSIONS IN MM



DIMENSIONS AND MOUNTING

Height x Diameter	470 x 640 mm
Weight in kg (basic model)	± 10 kg (depending on the model)
Mounting	Extension 3/4" external (Connection: 1/2" external optional)



In addition to using LED, even more energy can be saved, or light pollution avoided employing GAM luminaires supplied with a factory-set dimming schedule (1A, 2A, 3A, 4A or 5A). The GAM luminaire will, once the night rhythm has been established, autonomously dim when appropriate and return to 100% in the morning.



CONSTANT LIGHT OUTPUT (CLO)

All GAM luminaires support the CLO facility, in other words the typical light degradation of about 10% over the lifespan can be compensated through gradually increasing the power over the lifespan to ensure the light intensity remains at L100.

SMART LIGHTING



GAM luminaires can be equipped as an option with a Zhaga Book 18-connector, facilitating the simple connection of a communication module (node). Thanks to support from Zhaga-D4i, the luminaire can be automatically recognised by any compatible light management system, including data like type, power and status information. This ensures that the luminaires are ready for the latest applications in the field of smart and connected lighting.



LED²WELL CORE Our energy-saving lighting solutions

Number of LEDs	Lumen	OPTION AMBER System capacity (W)	CRI 70		
			STANDARD 2700K System capacity (W)	STANDARD 3000K System capacity (W)	STANDARD 4000K System capacity (W)
16	800	8.9	6.5	6.0	5.5
	1050	-	7.6	7.2	6.7
	1200	12.4	8.8	7.9	7.3
	1350	-	9.4	8.6	8.0
	1500	-	10.2	9.4	8.7
	1600	16.3	10.9	10.0	9.2
	1800	-	12.0	11.0	10.1
	2000	-	13.5	12.0	11.0
	2150	-	14.2	12.8	11.8
	2300	-	15.1	13.6	12.5
	2500	-	16.4	14.6	13.4
	2750	-	17.7	16.0	14.6
	3000	-	19.2	17.2	15.9
	3240	-	20.7	18.5	17.0
	3500	-	22.4	20.0	18.1
	3780	-	24.2	21.5	19.7
4000	-	27.1	22.8	20.8	
4200	-	27.2	24.0	21.8	
32	2000	19.6	-	-	-
	2300	22.4	-	-	-
	2500	23.4	-	-	-
	3000	28.6	-	-	-
	3240	-	23.8	20.1	18.3
	3500	-	25.7	20.7	19.6
	3780	-	27.4	21.6	21.0
	4000	-	28.7	22.7	22.0
	4320	-	31.1	24.3	23.6
	4860	-	35.7	27.3	26.4

