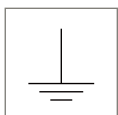


PRT

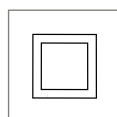


The PRT luminaire is a particularly decorative addition to your streetscape. This variation of the traditional conical luminaire shape offers many possibilities for street and site lighting. The polycarbonate light cover features an ice-crystal motif that minimises glare. The PRT is available in a variety of lens configurations. This facilitates the provision of perfect lighting in any situation and optimum light yield is guaranteed.

STANDARD



OPTION

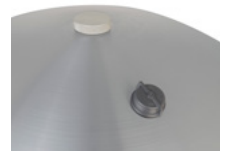




BENEFITS

- ▶ Decorative
- ▶ Light cover with ice-crystal motif
- ▶ Various lens configurations possible
- ▶ Prevents light pollution
- ▶ Excellent light performance with optimum distribution
- ▶ Easy to mount and install

SMART LIGHTING



Compatible with any Zhaga-D4i system by using the universal Zhaga-book 18 connector



Want to speak to a specialist?
Click on / scan the QR-code!

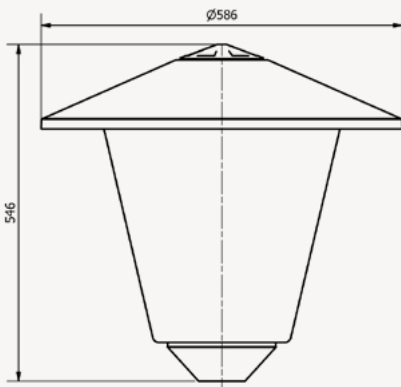
PRODUCT SPECIFICATIONS

- ▶ UV-stabilised polycarbonate top cover, batch-dyed black (RAL 9005) or grey (RAL 7032)
- ▶ Light cover UV-stabilised polycarbonate, ice-structured finish
- ▶ UniCliq unit
- ▶ Weight: ± 8 kg (depending on the model)
- ▶ Wind surface: ± 0.15 m²
- ▶ Safety class: I
- ▶ Voltage: 230/240 V, 50 Hz
- ▶ CRI: > 70
- ▶ Standard cable type H05BQ-F (3 x 1 mm²)
- ▶ Colour temperature neutral white (4,000K) or warm white (3,000K)
- ▶ Expected lifespan 100,000 hours at T environment = 25 °C (L96/F10)
- ▶ Different lens configurations
- ▶ Pole-mounted size 60 mm
- ▶ Assembly-, installation- and maintenance-friendly
- ▶ LED2WELL-Core

OPTIONS

- ▶ Other RAL colour
- ▶ DALI-2
- ▶ Constant Lumen Output (CLO)
- ▶ Safety class: II
- ▶ Pole mounted size 76 mm
- ▶ Unicliq unit: retrofit LED unit for existing luminaires
- ▶ Equipped with a different cable

DIMENSIONS IN MM



DIMENSIONS AND MOUNTING

Height x Diameter	546 x 586 mm
Weight in kg (basic model)	± 8 kg (depending on the model)
Mounting	Pole-mounted size: 60 mm (option: 76 mm)



In addition to using LED, even more energy can be saved, or light pollution avoided employing PRT luminaires supplied with a factory-set dimming schedule (1A, 2A, 3A, 4A or 5A). The PRT luminaire will, once the night rhythm has been established, autonomously dim when appropriate and return to 100% in the morning.



CONSTANT LIGHT OUTPUT (CLO)

All PRT luminaires support the CLO facility, in other words the typical light degradation of about 10% over the lifespan can be compensated through gradually increasing the power over the lifespan to ensure the light intensity remains at L100.

SMART LIGHTING

PRT luminaires can be equipped as an option with a Zhaga Book 18-connector, facilitating the simple connection of a communication module (node). Thanks to support from Zhaga-D4i, the luminaire can be automatically recognised by any compatible light management system, including data like type, power and status information. This ensures that the luminaires are ready for the latest applications in the field of smart and connected lighting.

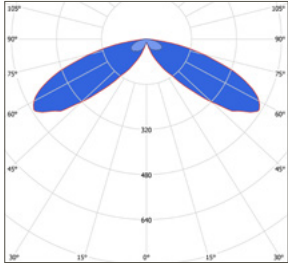


LED²WELL CORE Our energy-saving lighting solutions

		CRI > 70				
Number of LEDs	Lumen	OPTION AMBER System capacity (W)	OPTION 2200K System capacity (W)	OPTION 2700K System capacity (W)	STANDARD 3000K System capacity (W)	STANDARD 4000K System capacity (W)
16	800	8.9	7.4	6.7	6.2	5.9
	1050	-	9.3	8.4	7.9	7.4
	1200	12.4	10.5	9.6	8.6	8.2
	1350	-	11.5	10.5	9.6	9.1
	1500	-	12.6	11.5	10.5	9.8
	1600	16.3	13.6	12.2	11.2	10.5
	1800	-	15.0	13.6	12.4	11.7
	2000	-	16.7	15.3	13.6	12.6
	2150	-	17.9	16.2	14.5	13.6
	2300	-	19.3	17.4	15.7	14.5
	2500	-	21.2	18.9	16.9	15.7
	2750	-	23.5	21.0	18.9	17.4
	3000	-	25.8	23.0	20.6	18.9
32	2000	19.6	-	-	-	-
	2300	22.4	-	-	-	-
	2500	23.4	-	-	-	-
	3000	28.6	-	-	-	-

LED²WELL CORE

LED (ice-structured)



© 2025 Lightronics. All rights reserved. Lightronics makes no statements or guarantees as to the accuracy or completeness of the information contained in this document and cannot be held liable in any way for actions based on this information.

The information provided in this document is purely indicative and is not part of any offer or agreement.

Version 18-07-2025. Specifications are indicative and can be changed without prior notice being given. Printing and layout errors, as well as changes to models reserved.